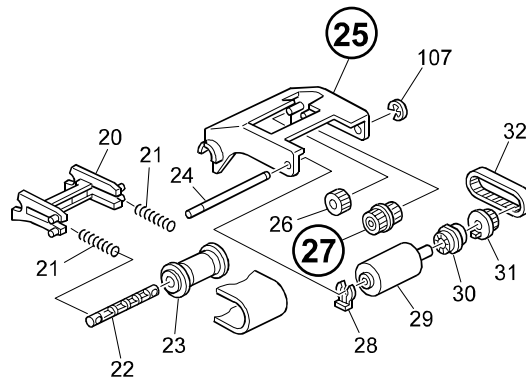


Model: Russian-C ARDF (DF69)		Date: 14-Nov-03	No.: MA858001
Modified Article: Pick up holder and Pulley		Prepared by: Y. Ohtani	
From: 1st Tech. Support Sec. Service Support Dept.			
Reason for Modification:	<input type="checkbox"/> Parts catalog correction <input type="checkbox"/> To facilitate assembly <input checked="" type="checkbox"/> Part standardization	<input type="checkbox"/> Vendor change <input type="checkbox"/> To improve reliability <input type="checkbox"/> Other	<input type="checkbox"/> To meet standards ()

The following have been changed for the Russian-SC to further ensure that the shaft of the Pickup Holder for the Pulley is not damaged. This change has also been applied to the Russian-C for purposes of parts standardization.

Old part number	New part number	Description	Q'ty	Int	Page	Index	Note
A8592151	G4123821	Holder - Pick Up	1	X/X	7	25	
A8592168	G4123831	Pulley - 22Z	1	X/X	7	27	

Note: When installing for the first time, the above parts must be replaced together as a set.



[Dongan (China) Production]

MODEL NAME	DESTINATION	CODE	SERIAL NO.
DF69	All RICOH subsidiaries, NRG, SAVIN	A858-17	H2637800001
DF69	Infotec	A858-26	Service Parts Only
DF69	LANIER	A858-55	Service Parts Only